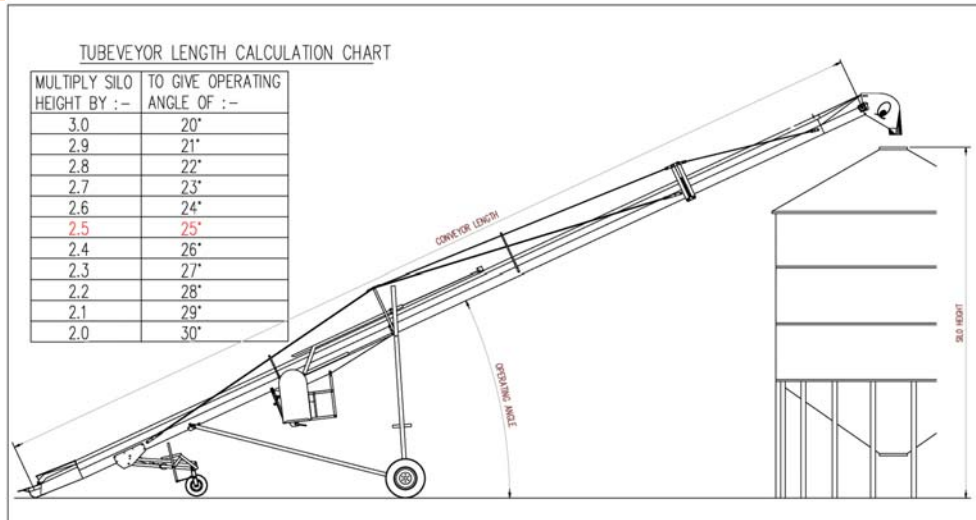


# Aust-Mech

AUSTRALIAN CONVEYOR SYSTEMS Pty. Ltd.



WE HAVE AN EYE  
ON YOUR  
CONVEYING NEEDS



\*\*\*Please Note - Aust-Mech Tubeveyors will work steeper than most competitor machines due to our unique Head & Tail design. Please contact us to discuss.

## Capacities

127mm (5")-	0.5	t/min
152mm (6") -	1.0	t/min
228mm (9") -	2.5	t/min

## Lengths

127mm (5") -	up to 12.20mt (40')
152mm (6") -	up to 15.25mt (50')
228mm (9") -	up to 27.47mt (90')

## Drives

Electric, Petrol, Diesel/Hydraulic PTO or Side-Drive PTO

# Aust-Mech

AUSTRALIAN CONVEYOR SYSTEMS Pty. Ltd.



## Examples of our other Products

- ❖ **Mobile Tubeveyors**  
to 10 tonne per minute  
up to 140' in length
- ❖ **Cross Sweep**  
up to 6mt wide retrieval blade  
single man operation
- ❖ **Swing-Away**  
up to 3mt wide hopper  
capacity matched to Tubeveyor
- ❖ **Mobile Container Filling Systems**  
to 5 tonne per minute  
Belt or Auger Type
- ❖ **Circular Silo Systems**  
to 10 tonne per minute  
Custom designed to your requirements
- ❖ **Under Silo Systems**  
to 10 tonne per minute  
Custom designed to your requirements
- ❖ **Fixed Container Filling Systems - Grain**  
to 5 tonne per minute  
Grains, Pulses
- ❖ **Fixed Container Filling Systems - Cottonseed**  
to 4 tonne per minute  
20' & 40' Containers
- ❖ **Tilting Container Filling Systems**  
to 7 tonne per minute  
30, 45 & 90 degrees
- ❖ **Mobile Receival Grid & Bunker Stacker**  
to 9 tonne per minute  
Bunker widths to 37mt
- ❖ **Mining**  
Ammonium Nitrate handling  
& storage systems
- ❖ **Custom & Industrial Systems**  
Specialists in Design and Customization

## Aust-Mech Contacts.

### Works & Administration

PO Box 858  
19 Darlow Street,  
Dalby, Qld. 4405  
**Ph. (07) 4662 4200**  
Fx. (07) 4662 4943  
sales@austmech.com

Aust-Mech products are Designed and Manufactured by us in Australia

[www.austmech.com](http://www.austmech.com)



Available in Stainless Steel

Also available in Models up to 10 t/min 140' long



Mobile Tubeveyors  
Up to 2.5 t/min



# Aust-Mech

AUSTRALIAN CONVEYOR SYSTEMS Pty. Ltd.

## Mobile Tubeveyors Up to 2.5 t/min

Also available in models up to 10 t/min 140' long



### Spring Tensioner

Unique quick acting and self-aligning automatic spring tensioner. This tensioner greatly increases belt life by ensuring that the belt is always operating at the correct tension. The tension can be released and re-applied in seconds, without any tools.



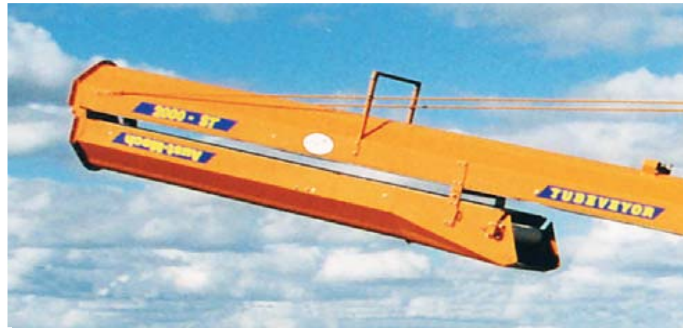
The Aust-Mech range of Tubeveyors are designed and built with four basic principles in mind **Guaranteed Capacity**, **Gentleness on Product**, **Longevity** & **Ease of Service**. These four factors provide Aust-Mech Customers the best Grain, Fertilizer and Cottonseed conveying solutions available.

There are a wide range of applications for use of the Aust-Mech Tubeveyor.

- ✦ Filling and emptying Silos, Bunkers and Sheds
- ✦ Custom applications such as Seed Grading plants
- ✦ Container Filling and Industrial applications

### Folding Barrel

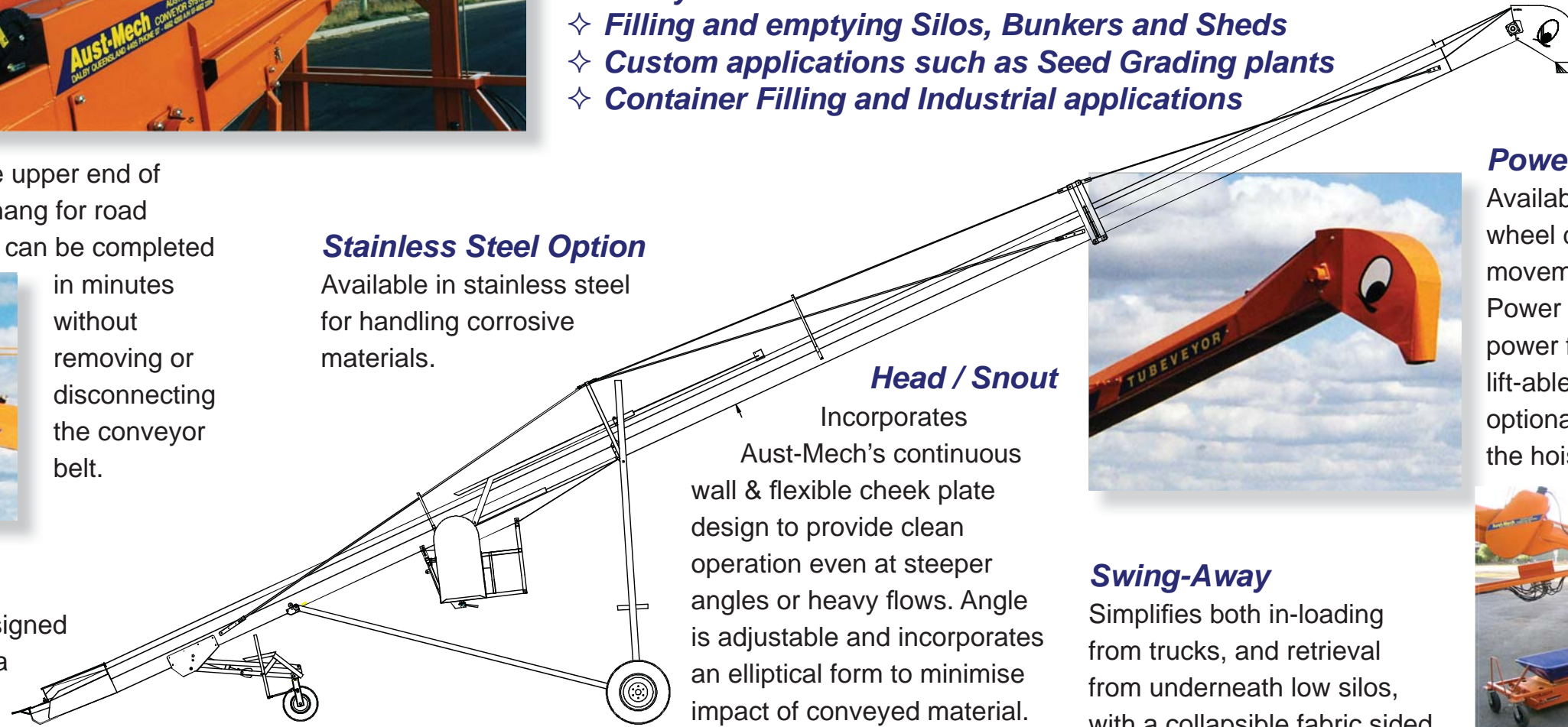
This unique Aust-Mech feature enables the upper end of the barrel to be folded to reduce rear overhang for road towing. This folding or unfolding operation can be completed



in minutes without removing or disconnecting the conveyor belt.

### Stainless Steel Option

Available in stainless steel for handling corrosive materials.



### Head / Snout

Incorporates Aust-Mech's continuous wall & flexible cheek plate design to provide clean operation even at steeper angles or heavy flows. Angle is adjustable and incorporates an elliptical form to minimise impact of conveyed material.



### Powered Wheel Drive

Available in single or dual wheel drive to enable ease of movement around site. The Power Drive kit also provides power for the hydraulically lift-able (hydraulic steering optional) tail-wheel and drive to the hoist winch



### Hopper / Tail

The unique Aust-Mech tail assembly is designed for maximum capacity while incorporating a low-line profile and a fully troughed belt within the hopper. Heavy-duty skid plate and tail roller guards are standard. 'Quick-attach' system for rapid hopper removal or interchange.



### Hopper Options

- ✦ Truck Hopper
- ✦ Fertiliser/Canola Hopper
- ✦ Under Silo Hopper (pictured)
- ✦ Hopper Extensions (Rubber)



### Undercarriage

The Aust-Mech undercarriage is vertically hoisting to minimise components. Telescoping axles extend to provide greater stance and then retract for road transport.



### Swing-Away

Simplifies both in-loading from trucks, and retrieval from underneath low silos, with a collapsible fabric sided hopper 1.5m or 3m long. Can be removed easily when not required. *No more reversing trucks!*

### Cross Sweep

Designed for picking up grain from bunkers and is available in 3m width for the 9" Tubeveyor. Features include hydraulic lift and steering to ensure accurate positioning and a clean bunker site once finished.