

Aust-Mech

AUSTRALIAN CONVEYOR SYSTEMS Pty. Ltd.



WE HAVE AN EYE
ON YOUR
CONVEYING NEEDS

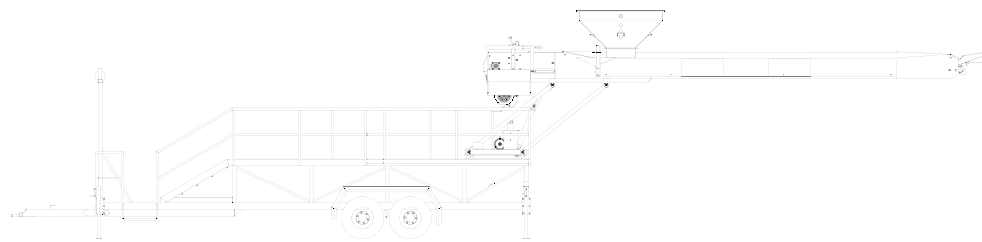
Aust-Mech

AUSTRALIAN CONVEYOR SYSTEMS Pty. Ltd.



Aust-Mech MCFT35 Belt Type Filler

The MCFT35 Belt-Type Container Filler has many of the same enviable features as it's sister machine the MCFA35. It is fully transportable, set-up is quick and easy and has the same exceptional fill rate. The MCFT35 has been designed with the more delicate grains in mind and provides a gentle method of filling containers with grains such as peas, beans, rice & cottonseed.



The Aust-Mech MCFT35 Mobile Container Filler System offers the advantages of a high capacity, fully mobile and easy to use system for filling 20' containers. This system offers a filling capacity of 5.3 tonnes per minute (nominal) from the 14" Belt-Type tube that also allows for an automated "Directed Fill" of the container, ensuring maximum capacity is achieved.

Examples of our other Products

- ✦ **Mobile Tubeveyors**
to 2.5 tonne per minute
up to 90' in length
- ✦ **Mobile Tubeveyors**
to 10 tonne per minute
up to 140' in length
- ✦ **Swing-Away**
up to 3mt wide hopper
capacity matched to Tubeveyor
- ✦ **Cross Sweep**
up to 6mt wide retrieval blade
single man operation
- ✦ **Circular Silo Systems**
to 10 tonne per minute
Custom designed to your requirements
- ✦ **Under Silo Systems**
to 10 tonne per minute
Custom designed to your requirements
- ✦ **Fixed Container Filling Systems - Grain**
to 5 tonne per minute
Grains, Pulses
- ✦ **Fixed Container Filling Systems - Cottonseed**
to 4 tonne per minute
20' & 40' Containers
- ✦ **Tilting Container Filling Systems**
to 7 tonne per minute
30, 45 & 90 degrees
- ✦ **Mobile Receival Grid & Bunker Stacker**
to 9 tonne per minute
Bunker widths to 37mt
- ✦ **Mining**
Ammonium Nitrate handling
& storage systems
- ✦ **Custom & Industrial Systems**
Specialists in Design and Customization

Aust-Mech Contacts.

Works & Administration

PO Box 858
19 Darlow Street,
Dalby. Qld. 4405
Ph. (07) 4662 4200
Fx. (07) 4662 4943
sales@austmech.com

Aust-Mech
products are
Designed and
Manufactured by us
in Australia

www.austmech.com



Also available with Belt
Type Filler



MCFA35 Mobile Container Filler

Aust-Mech

AUSTRALIAN CONVEYOR SYSTEMS Pty. Ltd.

MCFA35 Mobile Container Filler

Also available with
Belt Type Filler



One Man Operation

The Aust-Mech MCFA35 is designed to be operated by one 'man on the ground' thereby reducing labour requirements and overall cost in the filling process. It is able to be set-up in minutes from transport with a turntable swivel, hydraulic height adjustment and heavy duty screw-type stabilizers



The Aust-Mech MCFA35 Mobile Container Filler System offers the advantages of a high capacity, fully mobile and easy to use system for filling 20' containers. This system offers a filling capacity of 5.3 tonnes per minute (nominal) from the 14" Auger-Type tube that also allows for an automated "Pressure Fill" of the container, ensuring maximum capacity is achieved.



Large Intake Hopper

This large hopper allows for a 'surge' capacity from the supplying auger/tubeveyor and can be fitted with extensions and level monitor to allow for automatic control of silo or feed hopper outlet. Hopper is removable for transport.

Pressure Filling System

The MCFA35 Auger motor has an ammeter fitted with an adjustable set-point that senses the load on the motor and operates a two-stage set of traffic lights and siren to instruct the truck driver to move forward

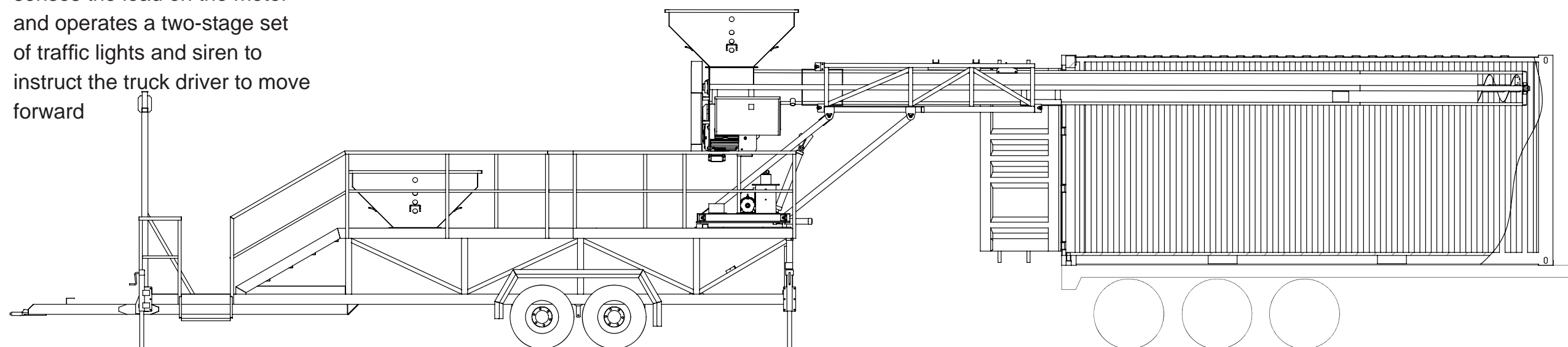
Spring Loaded Mount

designed to absorb the force of any collision between auger and container during reversing operation. +/- 200mm of travel - self centering. Also assists in the Pressure Filling of container.

Impact Rail

Full Length - located top, bottom and both sides to protect auger from impact damage and also provides auger tube with superb strength for longer life.

"From Transport to Set-Up by 1 Man in 5 Minutes"



Fully Transportable

The MCFA35 packs up quickly and conveniently to enable transport from site-to-site



Hydraulic Powered Raise/Lower with Slew

for perfect alignment within the container to maximize fill capacity. Hydraulics raise & lower the parallelogram for height adjustment and also provides a slew angle of 10 degrees each side of center

Optional Road Legal Transport Kit

- includes full road lighting, electric brakes to both axles w/- breakaway battery and safety chains

Towing - can be towed by 4WD or light truck capable of 4.00t ATM



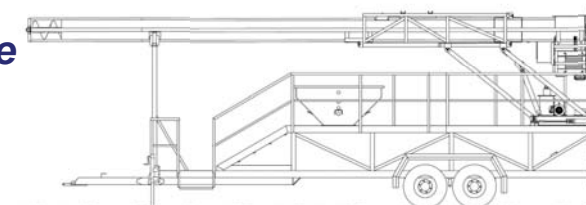
Traffic Lights & Siren

Lights and Siren are fitted with an Amber and Green LED light to notify the driver when to be ready and then move as container is filling. A siren is also fitted as an audible warning.



Grain Sampling Valve

Conveniently located at base of Auger



With Efficiency and Cost Effectiveness built into the Aust-Mech MCFA35, it is designed for simple, fast operation and to provide low cost of ownership while still providing a machine that will be operating in many years to come.